



# GUAM POWER AUTHORITY

ATURIDÁT ILEKTRESEDÁT GUÅHAN  
P.O.BOX 2977 • HAGÁTÑA, GUAM U.S.A. 96932-2977

October 03, 2024

AMENDMENT NO.: X

TO

INVITATION FOR BID NO.: GPA-069-24

FOR

VACUUM CIRCUIT BREAKERS

Prospective Bidders are hereby notified of the following changes and response to Bidder No. 1 inquiry dated 09/26/2024:

**INCLUSIONS:**

1. Diagram: Attachment C
2. Diagram: Attachment D

**RESPONSE:**

**Bidder No. 1 inquiry date 09/26/2024:**

**QUESTION:**

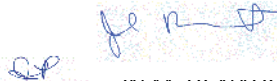

1. Regarding your reply to the spare auxiliary contacts, the manufacturer says they can provide 4 additional spare auxiliary contacts (2a and 2b), but the secondary block location would need to be defined by GPA, so they match with what they have in the cubicle.

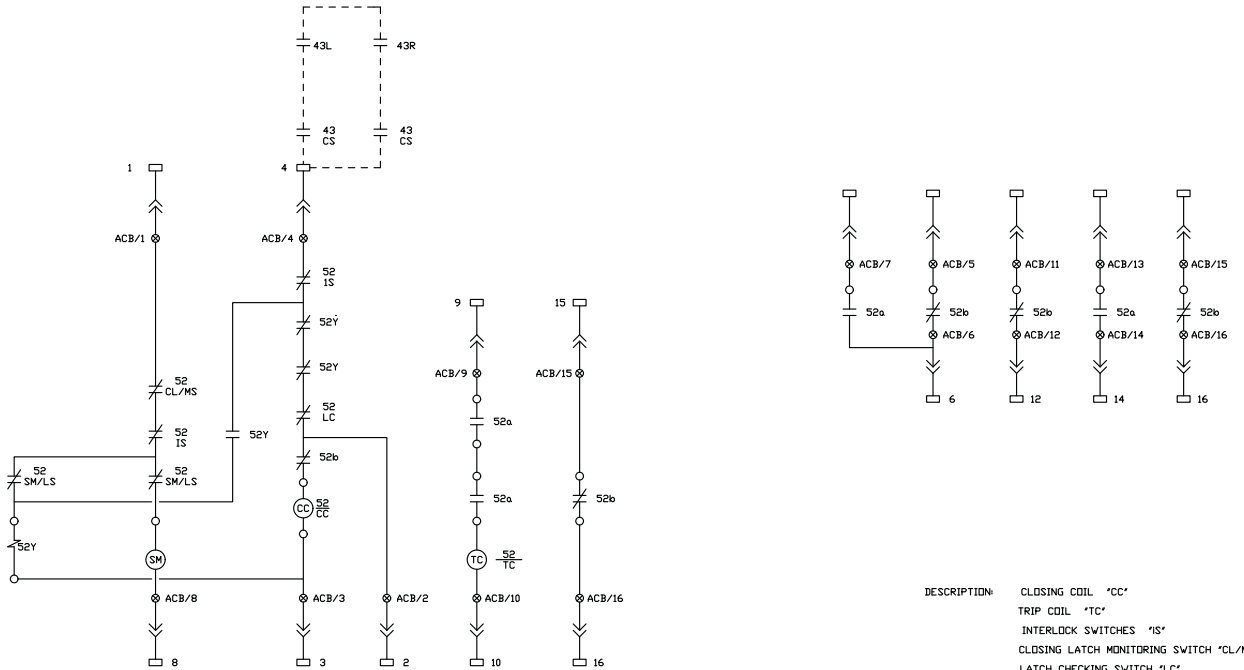
**ANSWER:**

The four contacts will suffice. Please see the attached diagrams for existing setup. The Agana one is for the GE equivalent and the P220 one is for the Federal Pacific equivalent.


Please refer to ***INCLUSIONS Nos. 1 and 2 above.***

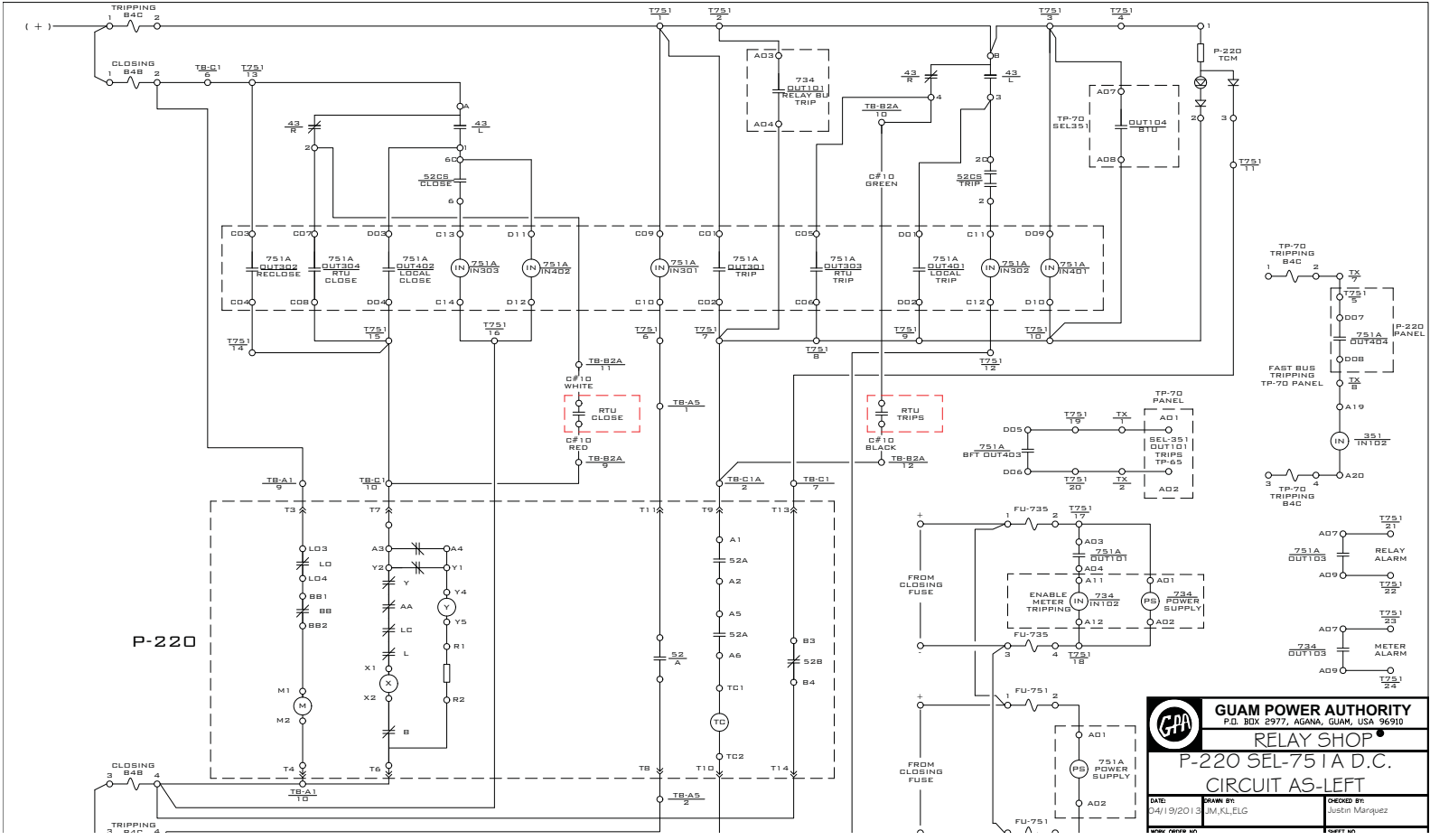
All other Terms and Conditions in the bid package shall remain unchanged and in full force.

  
JIM M. BENAVENT  
General Manager 



DESCRIPTION: CLOSING COIL 'CC'  
 TRIP COIL 'TC'  
 INTERLOCK SWITCHES 'IS'  
 CLOSING LATCH MONITORING SWITCH 'CL/MS'  
 LATCH CHECKING SWITCH 'LC'  
 AUXILIARY CONTACTS 52a or 52b  
 POWER SWITCH 'SM/LS'

 <b>GUAM POWER AUTHORITY</b> P.O. BOX 2977, AGANA, GUAM, USA 96960		
<b>RELAY SHOP</b>		
AGANA GENERAL ELECTRIC MAGNE-BLAST CIRCUIT BREAKER		
DATE: 7/12/2006	DRAWN BY: E. DEZELL	DESIGNED BY: E. DEZELL
WORK ORDER NO. 290755	SHEET NO. 2 OF 2	



		<b>GUAM POWER AUTHORITY</b> P.O. BOX 2977, AGANA, GUAM, USA 96910	
		<b>RELAY SHOP</b>	
<b>P-220 SEL-751A D.C. CIRCUIT AS-LEFT</b>			
DATE: 04/19/2013	DRAWN BY: JM,KL,ELG	CHECKED BY: Justin Marquez	
www.gpa.gu		05971 00	